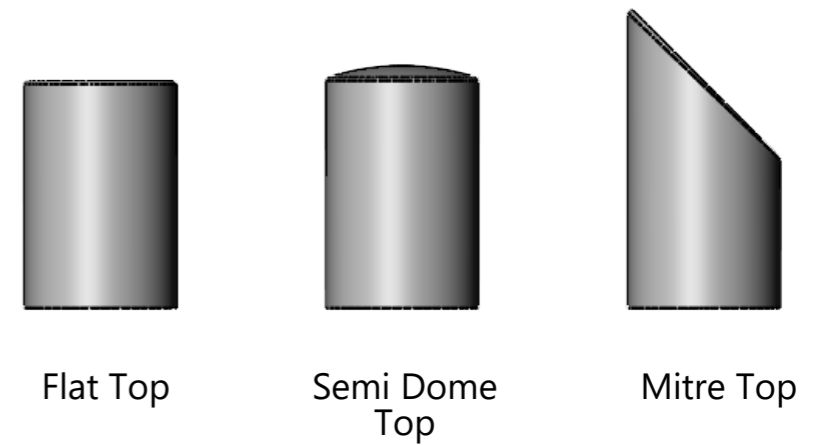


**Top Options**

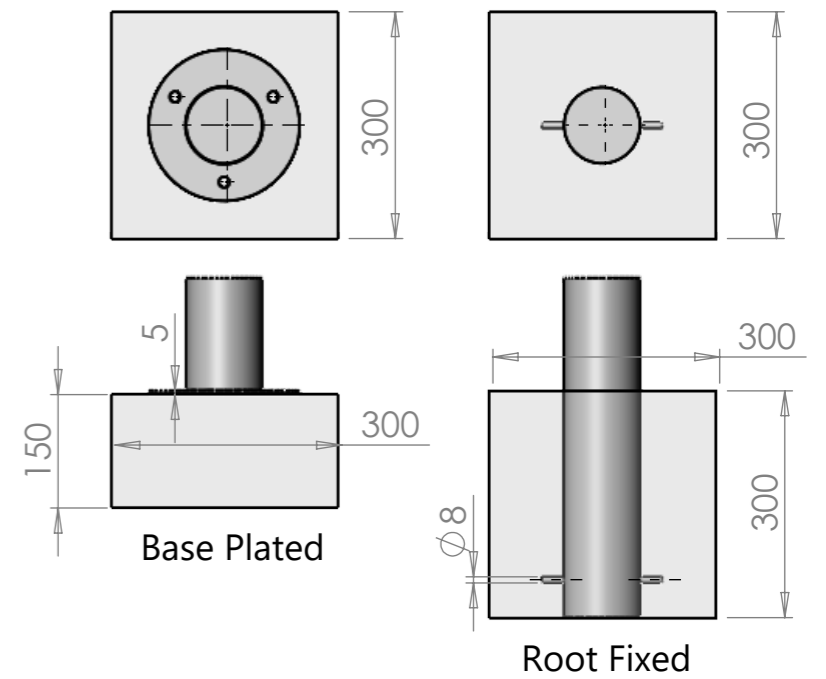


Flat Top

Semi Dome Top


Mitre Top

**Base Options**



Base Plated

Root Fixed

TITLE: Cranked Bollard		 <p><b>UK Street Style</b></p> <p>UNLESS OTHERWISE SPECIFIED: DIMENSIONS ARE IN MILLIMETERS TOLERANCES: LINEAR: +-1MM ANGULAR: +-1DEG</p>
DWG NO. UKSS-CRBOL		
MATERIAL: SEE B.O.M		
FINISH: SEE JOB SHEET		
DRAWN BY: CAB	APPROVED BY: NJ	
SCALE: 1:8	DATE: 07/05/2024	
SHEET 1 OF 1	A3	REVISION: A



DO NOT SCALE DRAWING